

## **Annex BB** **(normative)**

### **Instructions for installation and connection of electric fences**

#### **BB.1 Requirements for electric animal fences**

**Electric animal fences** and their ancillary equipment shall be installed, operated and maintained in a manner that minimizes danger to persons, animals or their surroundings.

**Electric animal fence** constructions that are likely to lead to the entanglement of animals or persons shall be avoided.

An **electric animal fence** shall not be supplied from two separate **energizers** or from independent **fence circuits** of the same **energizer**.

For any two separate **electric animal fences**, each supplied from a separate **energizer** independently timed, the distance between the wires of the two **electric animal fences** shall be at least 2 m. If this gap is to be closed, this shall be effected by means of electrically non-conductive material or an isolated metal barrier.

Barbed wire or razor wire shall not be electrified by an **energizer**.

A non-electrified fence incorporating barbed wire or razor wire may be used to support one or more off-set electrified wires of an **electric animal fence**. The supporting devices for the electrified wires shall be constructed so as to ensure that these wires are positioned at a minimum distance of 150 mm from the vertical plane of the non-electrified wires. The barbed wire and razor wire shall be earthed at regular intervals.

Follow the energizer manufacturer's recommendations regarding earthing.

A distance of at least 10 m shall be maintained between the **energizer earth electrode** and any other earthing system connected parts such as the power supply system protective earth or the telecommunication system earth.

**Connecting leads** that are run inside buildings shall be effectively insulated from the earthed structural parts of the building. This may be achieved by using insulated high voltage cable.

**Connecting leads** that are run underground shall be run in conduit of insulating material or else insulated high voltage cable shall be used. Care must be taken to avoid damage to the **connecting leads** due to the effects of animal hooves or tractor wheels sinking into the ground.

**Connecting leads** shall not be installed in the same conduit as the mains supply wiring, communication cables or data cables.

**Connecting leads** and **electric animal fence** wires shall not cross above overhead power or communication lines.

Crossings with overhead power lines shall be avoided wherever possible. If such a crossing cannot be avoided it shall be made underneath the power line and as nearly as possible at right angles to it.

If **connecting leads** and **electric animal fence** wires are installed near an overhead power line, the clearances shall not be less than those shown in Table BB1.

**Table BB1 – Minimum clearances from power lines for electric animal fences**

Power line voltage V	Clearance m
≤ 1 000	3
> 1 000 and ≤ 33 000	4
> 33 000	8

If **connecting leads** and **electric animal fence** wires are installed near an overhead power line, their height above the ground shall not exceed 3 m

This height applies to either side of the orthogonal projection of the outermost conductors of the power line on the ground surface, for a distance of

- 2 m for power lines operating at a nominal voltage not exceeding 1 000 V;
- 15 m for power lines operating at a nominal voltage exceeding 1 000 V.

**Electric animal fences** intended for deterring birds, household pet containment or training animals such as cows need only be supplied from low output **energizers** to obtain satisfactory and safe performance.

In **electric animal fences** intended for deterring birds from roosting on buildings, no **electric fence** wire shall be connected to the **energizer earth electrode**. A warning sign shall be fitted to every point where persons may gain ready access to the conductors.

Where an **electric animal fence** crosses a public pathway, a non-electrified gate shall be incorporated in the **electric animal fence** at that point or a crossing by means of stiles shall be provided. At any such crossing, the adjacent electrified wires shall carry warning signs.

Any part of an **electric animal fence** that is installed along a public road or pathway shall be identified at frequent intervals by warning signs securely fastened to the fence posts or firmly clamped to the fence wires.

The size of the warning sign shall be at least 100 mm × 200 mm.

The background colour of both sides of the warning sign shall be yellow. The inscription on the sign shall be black and shall be either

- the symbol of Figure BB1, or
- the substance of “CAUTION: **Electric animal fence**”.

The inscription shall be indelible, inscribed on both sides of the warning sign and have a height of at least 25 mm.

Ensure that all mains-operated, ancillary equipment connected to the **electric animal fence circuit** provides a degree of isolation between the fence circuit and the supply mains equivalent to that provided by the **energizer**.

NOTE 1 Ancillary equipment that complies with the requirements relating to isolation between the **fence circuit** and the supply mains in Clauses 14, 16 and 29 of the standard for the **electric fence energizer** is considered to provide an adequate level of isolation.

Protection from the weather shall be provided for the ancillary equipment unless this equipment is certified by the manufacturer as being suitable for use outdoors, and is of a type with a minimum degree of protection IPX4.

## **BB.2 Requirements for electric security fences**

**Electric security fences** and their ancillary equipment shall be installed, operated and maintained in a manner that minimizes danger to persons, and reduces the risk of persons receiving an electric shock unless they attempt to penetrate the **physical barrier**, or are in the **secure area** without authority.

**Electric security fence** constructions that are likely to lead to the entanglement of persons shall be avoided.

Gates in **electric security fences** shall be capable of being opened without the person receiving an electric shock.

An **electric security fence** shall not be supplied from two separate **energizers** or from independent **fence circuits** of the same **energizer**.

For any two separate **electric security fences**, each supplied from a separate **energizer** independently timed, the distance between the wires of the two **electric security fences** shall be at least 2,5 m. If this gap is to be closed, this shall be effected by means of electrically non-conductive material or an isolated metal barrier.

Barbed wire or razor wire shall not be electrified by an **energizer**.

Follow the energizer manufacturer's recommendations regarding earthing.

The distance between any **electric security fence earth electrode** and other earth systems shall be not less than 2 m, except when associated with a graded earth mat.

NOTE 1 Where possible the distance between any **electric security fence earth electrode** and other earth systems should preferably be at least 10 m.

Exposed conductive parts of the **physical barrier** shall be effectively earthed.

Where an **electric security fence** passes below bare power line conductors, the highest metallic element shall be effectively earthed for a distance of not less than 5 m on either side of the crossing point.

**Connecting leads** that are run inside buildings shall be effectively insulated from the earthed structural parts of the building. This may be achieved by using insulated high voltage cable.

**Connecting leads** that are run underground shall be run in conduit of insulating material or else insulated high voltage cable shall be used. Care must be taken to avoid damage to the **connecting leads** due to the effects of vehicle wheels sinking into the ground.

**Connecting leads** shall not be installed in the same conduit as the mains supply wiring, communication cables or data cables.

**Connecting leads** and **electric security fence wires** shall not cross above overhead power or communication lines.

Crossings with overhead power lines shall be avoided wherever possible. If such a crossing cannot be avoided it shall be made underneath the power line and as nearly as possible at right angles to it.

If **connecting leads** and **electric security fence** wires are installed near an overhead power line, the clearances shall not be less than those shown in Table BB2.

**Table BB2 – Minimum clearances from power lines for electric security fences**

Power line voltage V	Clearance m
≤1 000	3
>1 000 and ≤33 000	4
>33 000	8

If **connecting leads** and **electric security fence** wires are installed near an overhead power line, their height above the ground shall not exceed 3 m

This height applies to either side of the orthogonal projection of the outermost conductors of the power line on the ground surface, for a distance of

- 2 m for power lines operating at a nominal voltage not exceeding 1 000 V;
- 15 m for power lines operating at a nominal voltage exceeding 1 000 V.

A spacing of 2,5 m shall be maintained between uninsulated **electric security fence** conductors or uninsulated **connecting leads** supplied from separate **energizers**. This spacing may be less where conductors or connecting leads are covered by insulating sleeving, or consist of insulated cables rated to at least 10 kV.

This requirement need not apply where the separately energized conductors are separated by a **physical barrier** that does not have any openings greater than 50 mm.

A vertical separation of not less than 2 m shall be maintained between **pulsed conductors** fed from separate **energizers**.

**Electric security fences** shall be identified by prominently placed warning signs.

The warning signs shall be legible from the **secure area** and the **public access area**.

Each side of the **electric security fence** shall have at least one warning sign.

Warning signs shall be placed

- at each gate;
- at each access point;
- at intervals not exceeding 10 m;
- adjacent to each sign relating to chemical hazards for the information of the emergency services.

Any part of an **electric security fence** that is installed along a public road or pathway shall be identified at frequent intervals by warning signs securely fastened to the fence posts or firmly clamped to the fence wires.

The size of the warning sign shall be at least 100 mm × 200 mm.

The background colour of both sides of the warning sign shall be yellow. The inscription on the sign shall be black and shall be either

- the symbol of Figure BB1, or
- the substance of "CAUTION: **Electric security fence**".

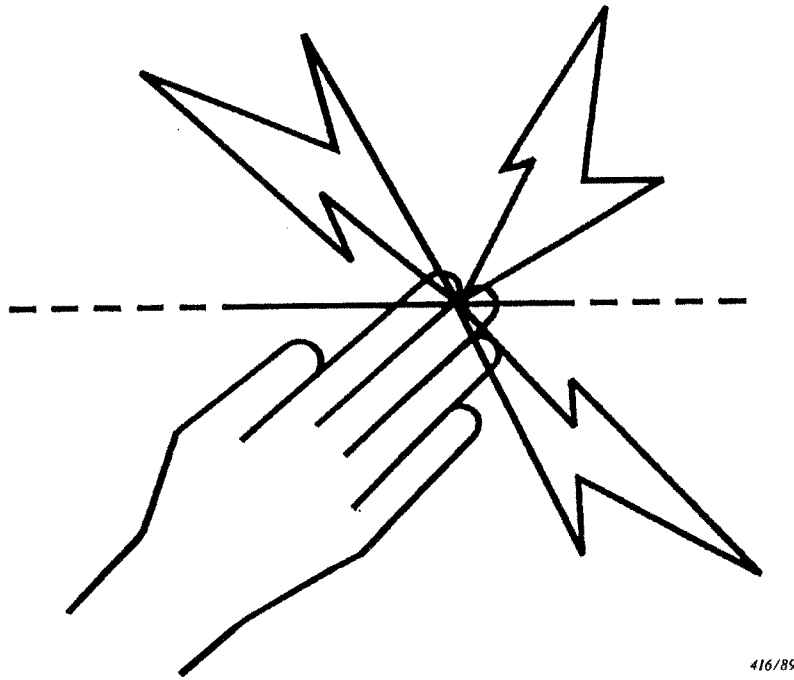
The inscription shall be indelible, inscribed on both sides of the warning sign and have a height of at least 25 mm.

Ensure that all mains operated, ancillary equipment connected to the **electric security fence circuit** provides a degree of isolation between the **fence circuit** and the supply mains equivalent to that provided by the **energizer**.

NOTE 2 Ancillary equipment that complies with the requirements relating to isolation between the **fence circuit** and the supply mains in Clauses 14, 16 and 29 of the standard for the **electric fence energizer** is considered to provide an adequate level of isolation.

Mains supply wiring shall not be installed in the same conduit as signalling leads associated with the **electric security fence** installation.

Protection from the weather shall be provided for the ancillary equipment unless this equipment is certified by the manufacturer as being suitable for use outdoors, and is of a type with a minimum degree of protection IPX4.



416/89

Figure BB1 – Symbol for warning sign

## Annex CC (informative)

### Installation of electric security fences

#### CC.1 General

An **electric security fence** should be installed so that, under normal conditions of operation, persons are protected against inadvertent contact with **pulsed conductors**.

NOTE 1 This requirement is primarily intended to establish that a desirable level of safety is present or is being maintained in the **physical barrier**.

NOTE 2 When selecting the type of **physical barrier**, the likely presence of young children should be a factor in considering the size of openings.

#### CC.2 Location of electric security fence

The **electric fence** should be separated from the **public access area** by means of a **physical barrier**.

Where an **electric fence** is installed in an elevated position, such as a window or skylight, the **physical barrier** may be less than 1,5 m high where it covers the whole of the **electric fence**.

#### CC.3 Prohibited zone for pulsed conductors

**Pulsed conductors** shall not be installed within the shaded zone shown in Figure CC1.

NOTE 1 Where an **electric security fence** is planned to run close to a site boundary, the relevant government authority should be consulted before installation begins.

NOTE 2 Typical **electric security fence** installations are shown in Figure CC2 and Figure CC3.

#### CC.4 Separation between electric fence and physical barrier

Where a **physical barrier** is installed in compliance with CC.3 at least one dimension in any opening should be not greater than 130 mm and the separation between the **electric fence** and the **physical barrier** should be

- within the range of 100 mm to 200 mm or greater than 1 000 mm where at least one dimension in each opening in the **physical barrier** is not greater than 130 mm;
- greater than 1 000 mm where any opening in the **physical barrier** has all dimensions greater than 50 mm;
- less than 200 mm or greater than 1 000 mm where the **physical barrier** does not have any openings.

NOTE 1 These restrictions are intended to reduce the possibility of persons making inadvertent contact with the **pulsed conductors** and to prevent them from becoming wedged between the **electric fence** and the **physical barrier**, thereby being exposed to multiple shocks from the **energizer**.

NOTE 2 The separation is the perpendicular distance between the **electric fence** and the **physical barrier**.

#### CC.5 Prohibited mounting

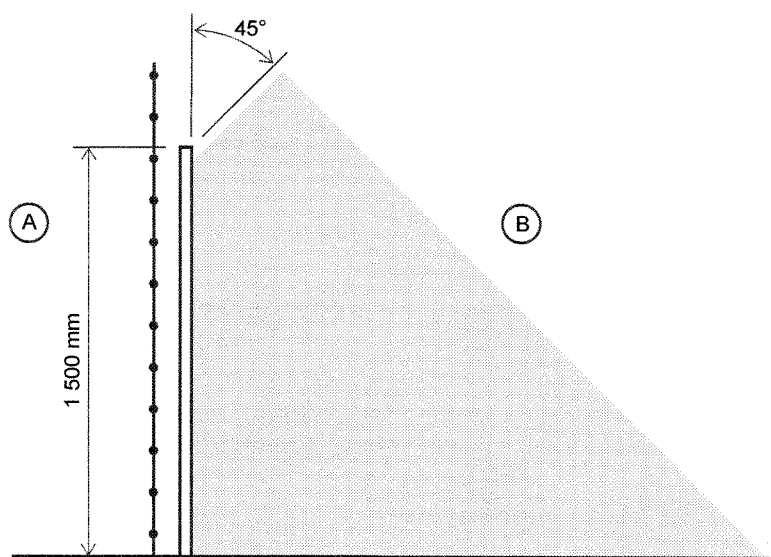
**Electric fence** conductors should not be mounted on a support used for any overhead power line.

### CC.6 Operation of electric security fence

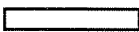


The conductors of an **electric fence** should not be energized unless all authorized persons, within or entering the **secure area**, have been informed of its location.

Where there is a risk of persons being injured by a secondary cause, appropriate additional safety precautions should be taken.

NOTE An example of a secondary cause is where a person may be expected to fall from a surface if contact is made with **pulsed conductors**.

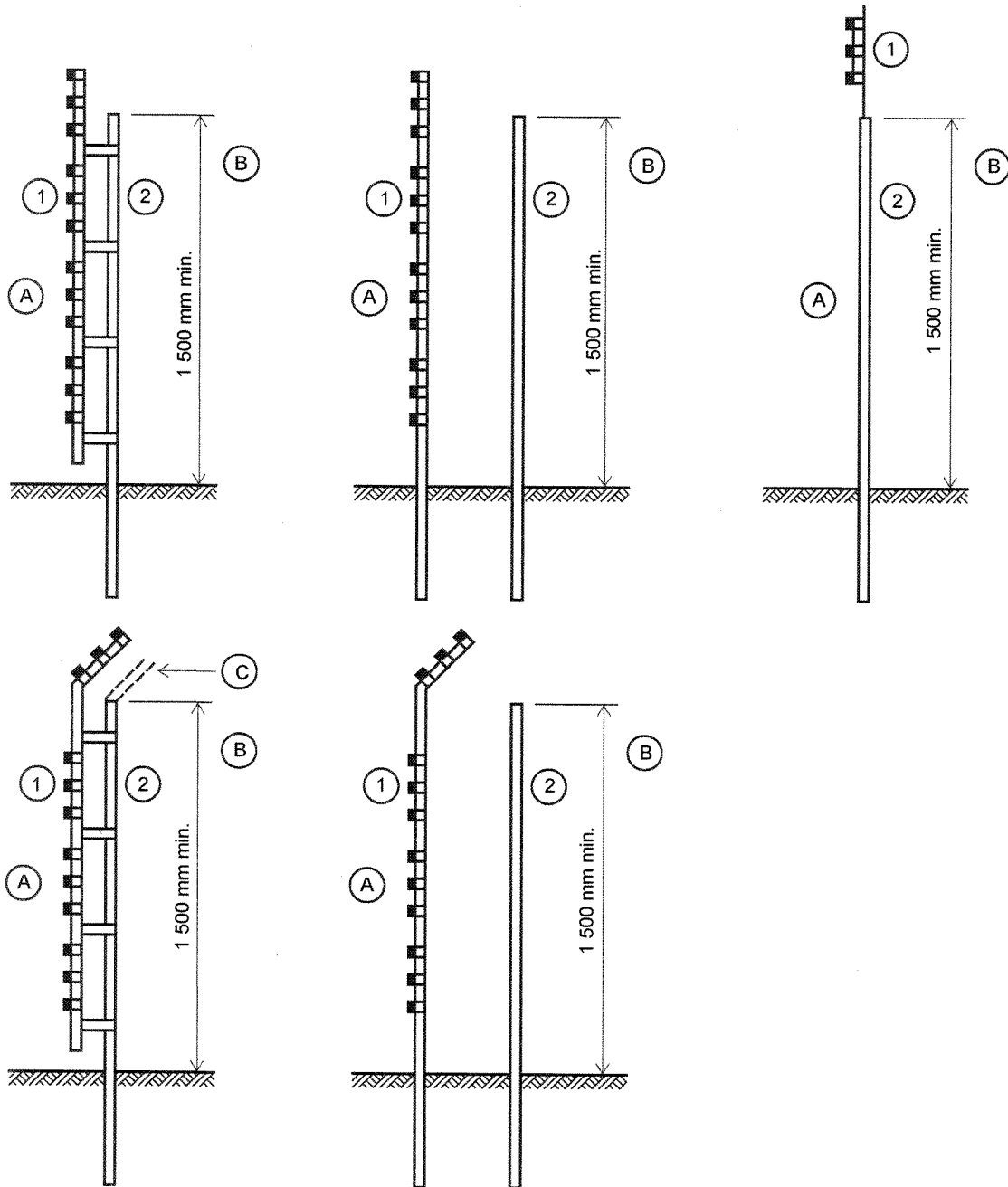


**Key**

- A = **Secure area**
- B = **Public access area**
-  **Physical barrier**
-  **Prohibited area**
-  **Electric security fence**

**Figure CC1 – Prohibited area for pulse conductors**





**Key**

A = Secure area

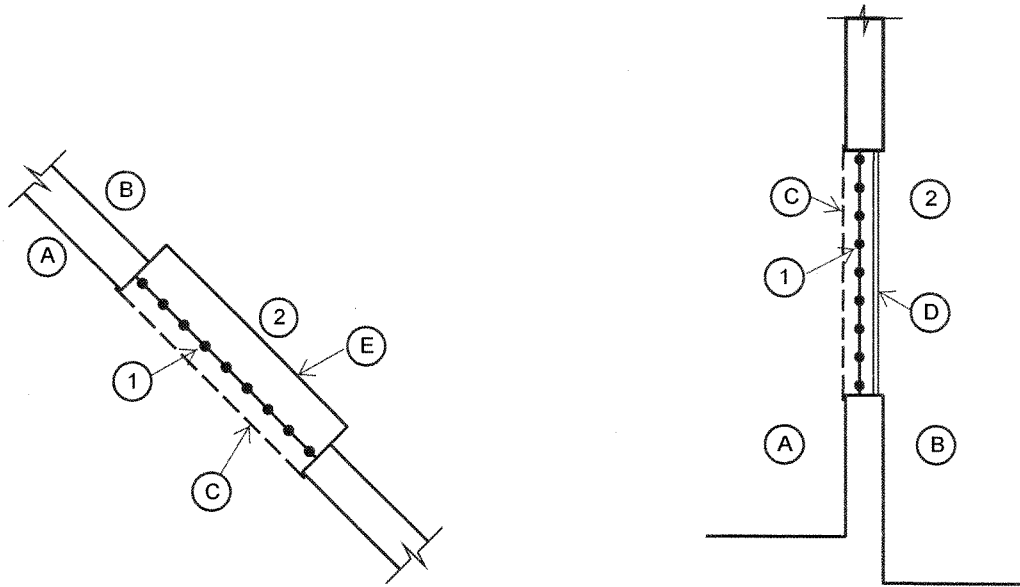
B = Public access area

C = Barrier where required

1 = Electric security fence

2 = Physical barrier

**Figure CC2 – Typical constructions where an electric security fence is exposed to the public**



**Key**

A = Secure area

B = Public access area

C = Barrier where required

D = Glass window pane

E = Skylight in roof

1 = Electric security fence

2 = Physical barrier

**Figure CC3 – Typical fence constructions where the electric security fence is installed in windows and skylights**